

# OLYMPUS OPTIONS

## Graphical reference

Updated on April 2023

OP. Ref. 071020, 71030

### Access ladder and handle

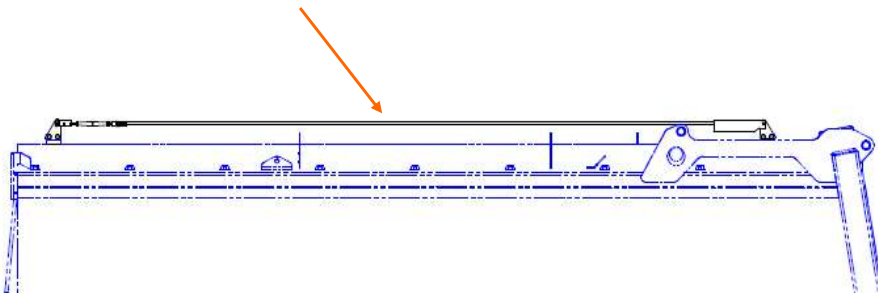


Handle Ladder

- Ladder that allows access to the inspection door of the body.
- The access ladder folds away when not needed.
- Includes a handle for safe access.

OP. Ref. 077020

### Life line



- One life\_line on the roof of the body to allow maintenance staff to work safely using a harness.
- Safety harness for staff is not included.

OP. Ref. 074020, 074030, 074040

### Brush and shovel under the body



Brush&shovel holder  
Brush&shovel holder with rubber butt



- Stores the brush and shovel under the body.
- Brush and shovel can be included or not.
- Available with a third holder for another tool.
- *In case of capacities OL10N, OL11N, OL13W, or OL14W or with continuous subframe, support for shovel and broom will be in the frontal part of the body.*

OP. Ref. 062020

### Full frontal grid in the body



- Security bars in front of the body to stop unauthorised access.

OP. Ref. 073025

### Rear discharge chute



- Chute to prevent leachate running onto the chassis when ejecting waste from the body.
- It covers the entire width of the body for Narrow and Wide versions of Olympus.
- Option on FBU. Included in standard specification on FBM.

OP. Ref. 015101, 015115

### Subframe 187mm



- Subframe of 187mm high instead of the standard 115mm high.
- It allows for an improvement in the BWC, depending on the combination of collection equipment and chassis.

# OLYMPUS OPTIONS

## Graphical reference

Updated on April 2023

OP. Ref. 078020, 078030, 078050, 078060

### Plastic toolbox



- Plastic toolbox mounted under the body.
- Available in three sizes:
  - 110l: 600 x 400 x 470 mm
  - 90l: 500 x 350 x 470 mm
  - 150l: 660 x 500 x 665 mm
- Optionally (078060), two toolboxes of 90l can be mounted, only if there is space enough.

OP. Ref. 080020

### Hand washing station. Plastic water tank with tap.



- Wash station with cold water with soap dispenser.
- Capacity of 32l. Dimensions: Ø 360mm x 475mm
- Available in black.
- Mounted under the body.

OP. Ref. 084020

### Cycle guards (standard)



- Guards to stop cyclists and pedestrians going under the chassis in the event of an accident.

# OLYMPUS OPTIONS

## Graphical reference

Updated on April 2023

OP. Ref. 132125, 132135

### Mudguards (standard)

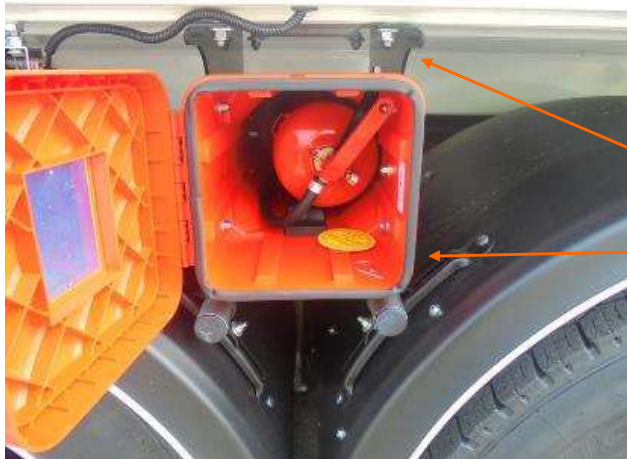


Mudguards adapted to body

- Standard mudguards with black rubber protections, for 2 and 3 axle chassis.
- Option on FBU. Included in standard specification on FBM.

OP. Ref. 081100, 081110

### Fire extinguisher in box



Supports

Box

- Fire extinguisher for fighting a small fire.
- Includes dedicated storage box with mounting frame to take a 9kg extinguisher.
- Available 1 or 2 boxes, depending on chassis size.

OP. Ref. 057020, 057090

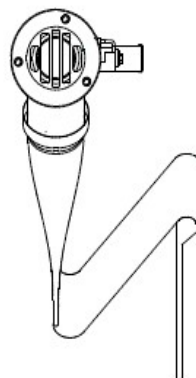
### Frontal leachate outlet with hose



Outlet

Folded hose

Strainer (option 057090)



- To drain leachates from the sump at the front of the body by means of a hose, instead of standard with valve and hose.
- Folded hose removes the need for a valve.
- The outlet is in the frontal part of the body and can be mounted on right or left side.
- Optionally (057090) can include a strainer to separate big particles from the leachate.

OP. Ref. 026040

### Quick connection for oil tank drainage



Oil tank



Standard ball valve

Fast connection for oil drenage

- Allows quick connection to the the hydraulic oil tank drain from the side of the vehicle, instead of directly under the oil tank. The ball valve is the standard.
- The quick connection is at the side of the fast connection for oil filling.

OP. Ref. 085030

### Elevation kit for underground containers



- Kit for raising containers stored underground. Uses body hydraulics. 20m long , 9.5mm (3/8") diameter hose on a spool.

OP. Ref. 056043

### Liquid collecting tank (Body)



- To collect leachates from the body area, useful when collecting high moisture content waste.
- Mounted under the body.
- Made of INOX.
- 120l with overall dimensions: 480(L) x 570(W) x 670(H) mm
- Not available for OL10N, OL11N, OL12N, OL13W or OL14W.

# OLYMPUS OPTIONS

## Graphical reference

Updated on April 2023

OP. Ref. 016030, 016060, 016090

### Front body counterweights



Frontal view of the body with counterweights

3 pieces of 70kg in each side

- Used to ensure the vehicle has the correct amount of weight on the front axle at all times.
- Weights of 70kg. Maximum of 6 pieces (420kg).
- Pieces are screwed to the body.
- For extreme cases, two additional weights of 40kg each can be added. This weights are screwed in the outer part of the counterweights support.
- Maximum KG of counterweights: 500Kg or 470Kg if variable flow pump is chosen.

OP. Ref. 059020, 059030, 059050, 059070

### Advertising panels support



- Supports for advertising panels on each side of the body. Panels not included.
- Available in 4 dimensions:
  - 1500x940mm
  - 2100x940mm
  - 1200x1500mm
  - 1000x550mm

OP. Ref. 142021, 142031, 142081, 142101

### Reflective bands



Reflective bands white



Reflective bands yellow

- Reflective bands available in the following combinations:
  - Back and sides in yellow
  - Back in yellow and sides in white
  - Back in red and sides in white
  - Back in red and sides in yellow
- Reflective bands are always mounted.

OP. Ref. 125011, 125101

### Body upper working light



Detailed view of the light

- Illuminates the working areas to the side of the RCV.
  - Located in the upper laterals of the body.
  - Can be installed on left hand or on right hand.
- Lights configuration can be as follows:
- 1 light (right or left side)
  - 2 lights (right or left side), both at same side
- Available in LED and white color.
  - Available with independent drive from the rest vehicle lights.

OP. Ref. 122051, 122061, 122101, 122131, 122201, 122211, 122261

### Body lower working lights



Detailed view of the light

- Illuminates to signalize the position of the RCV, during works.
  - Located under the body.
  - Can be installed on left hand, right hand, or both sides.
- Lights configuration can be as follows:
- 1 light (right or left side)
  - 2 lights (right or left side), both at same side
  - 3 lights (right or left side), both at same side
  - 2 lights (1 right and 1 left)
  - 4 lights (2 right and 2 left)
  - 6 lights (3 right and 3 left)
- Available in LED and white color.
  - Available with independent drive from the rest of the vehicle lights.

OP. Ref. 115020, 115030

### Intercom



Detailed view of the intercom in the rear part

- Allows the communication between the driver and crew.
- Available brands: "Vision Tech" and "Simplex"

# OLYMPUS OPTIONS

## Graphical reference

Updated on April 2023

OP. Ref. 127011, 127021, 127071, 127081, 127091, 127131

### Rotating beacon front body



Rotating beacon



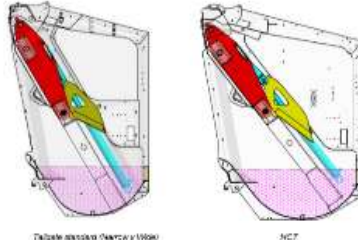
LED HELLA

LED

- Indicates the position of the collection vehicle while working.
- Available in halogen, standard LED or HELLA LED.
- Installed in the front center of the body (1) or right and left (2).
- It comes with protection cage.
- *Note: LED beacons are flashing beacons instead of rotating beacons.*

OP. Ref. 008020

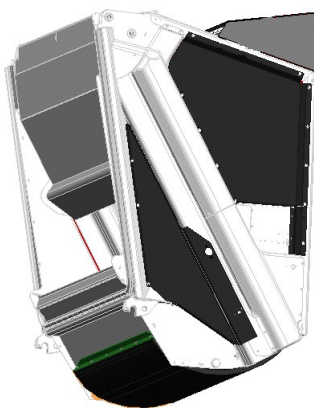
### High capacity tailgate



- Tailgate with 1,5m3 of hopper capacity (without lifter).
- Suitable with multi-purpose bin lifters and industrial lifters.
- Available for all capacities of OL Wide:
  - OL 13W HCT: 13,37m3
  - OL 14W HCT: 14,10m3
  - OL 16W HCT: 15,93m3
  - OL 17W HCT: 16,93m3
  - OL 19W HCT: 18,95m3
  - OL 20W HCT: 20,34m3
  - OL 21W HCT: 21,74m3
  - OL 23W HCT: 23,60m3
  - OL 25W HCT: 25,90m3
  - OL 27W HCT: 26,86m3

OP. Ref. 053030

### Soundproofing hopper, sides and roof



Soundproofing in hopper, sides and roof.

Detailed view with sound absorbing paint and material.



- Soundproofing of the exterior of the hopper with sound absorbing paint and material. Sides and roof of the tailgate with sound absorbing material.



# OLYMPUS OPTIONS

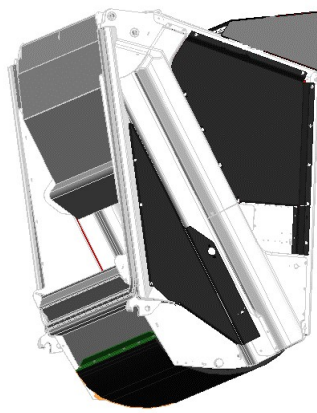


## Graphical reference

Updated on April 2023

OP. Ref. 053040

### Soundproofing hopper and sides



Soundproofing in hopper, and sides.

Detailed view with sound absorbing paint and material.



- Soundproofing of the exterior of the hopper with sound absorbing paint and material and sides of the tailgate with sound absorbing material.

OP. Ref. 088031

### Footboards with weight sensor for Auxiliary lifter



Rubber protection    Anti\_slippery tray

- Folding footboards with weight sensor to detect if crew member is present.
- Signal from the sensor is used to activate safety feature preventing the vehicle from exceeding 30 km/h forward speed, and travelling in reverse when someone is standing on the footplate. Includes anti-slip footplates, rubber protection, 30Km/h speed limit and reversing protection. **ONLY with Auxiliary lifter (Except for HS)**

OP. Ref. 088110

### Fluorescent footboards



- Extra cost to be added to any footboard to have it painted in special paint yellow fluorescent.
- Fluorescent yellow paint increases visibility to all.

# OLYMPUS OPTIONS



## Graphical reference

Updated on April 2023

OP. Ref. 076020

### Additional safety prop



Safety prop in the working position

- An additional safety prop on the right side (in addition to the left hand side supplied as standard).
- Allows work to be done safely with the tailgate partly open.

OP. Ref. 054010, 054020

### Tailgate leachate outlet



- To drain the leachate from waste collected in the hopper.
- Available at right or both sides.

OP. Ref. 055020

### Leachate collection tank. Tailgate



Snap-shut access door system      Leachate collector

- Collects leachates that may pass through the seal between body and tailgate, avoiding to fall on the floor.
- Covers the entire width of the body.
- Tank capacities:
  - 140l for OL W
  - 120l for OL N



Discharge chute with leachate tank

OP. Ref. 093040

### Footboard rubber protection



- Full width rubber flap to protect footboards from water splashes.

OP. Ref. 013021, 013041, 013045, 013051

### Special hopper for underground containers and preparation for a crane between cab and body



RCVs with crane + special tailgate

Without lifter With UPC lifter



- RCV prepared for the mounting of a crane between cab and body. Available for different crane models.
- Crane supply and installation not included.
- Extra hopper mounted to the tailgate to receive the containers, bottom opening versions.
- This special tailgate is developed for OLW and OL HCT.
- OL HCT version is compatible with UPC lifter.

OP. Ref. 013061, 013071, 013075, 013091

### Special hopper for underground containers and preparation for a body mounted crane



Detailed view of the crane support

RCVs with crane + special tailgate



- RCV prepared for the mounting of a crane on the top of the body. Available for cranes Palfinger EPSILON C70G, HIAB 3600, Vkran V3, ECO806 or ECO809.
- Crane supply and installation not included.
- Extra hopper mounted to the tailgate to receive the containers, bottom opening versions.
- This special tailgate is developed for OLW and OL HCT.
- OL HCT version is compatible with UPC lifter.

OP. Ref. 028020

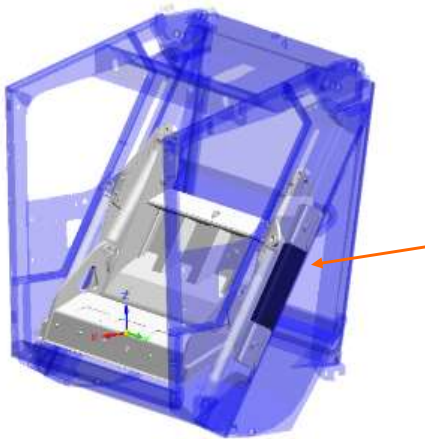
### External hydraulic connections



- Allows connection of an external hydraulic power source to move the ejector and open the tailgate in the event of an RCV hydraulic failure.

OP. Ref. 060020

### Wood filled packer carrier guide



- The space between carrier slides and guide channel has wooden blocks fitted to avoid a build up of waste.

OP. Ref. 009040

### Tailgate sides and sweeper strengthening for paper



Tailgate sides reinforcement

Sweeper reinforcement

- Reinforcement of tailgate sides and sweeper front face with a 3mm sheet of S355 steel for added durability when collecting paper is the main activity.
- Option valid for OL N and W, no required with OL HCT.

OP. Ref. 009030

### Sweeper strengthening for paper



Sweeper reinforcement

- Reinforcement of sweeper front face with a 3mm sheet of S355 steel for added durability when collecting paper is the main activity.
- Option required with OL HCT for total reinforcement.

OP. Ref. 068020

### Tailgate cylinder rod protectors



- Steel plates to protect tailgate lifting cylinder rods.

OP. Ref. 082050, 082040

### Sweeper central greasing



With automatic pump

- System to grease sweeper automatically from a central location.
- Greasing circuit is available without a pump (if the customer wishes to fit their own) or with an automatic pump.

# OLYMPUS OPTIONS

## Graphical reference

Updated on April 2023

OP. Ref. 126061, 126071, 126091, 126110, 126121

### Rotating beacon on the tailgate, with protective cage



LED HELLA



LED



Halogen type

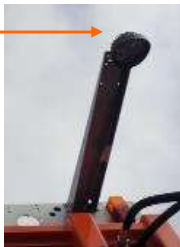


- Rotating beacon in the tailgate, for signaling, with protection grid.
- Available in halogen, standard LED or HELLA LED.
- Installation options of beacon at right or left hand side, or both sides.
- Protection grid adapted to the different light types.
- 1 x orange rotating beacon (halogen bulb) on the tailgate left hand side, with protective cage is supplied as standard.
- *Note: LED beacons are flashing beacons instead of rotating beacons.*

OP. Ref. 121051, 121141

### Rear working light

LED



- Rear working light mounted at the top of the tailgate illuminating the rear of the vehicle.
- Available in LED in white color.
- Possibility of installation of one light at right or left side, two (both sides) or three (both sides and in the center, this configuration only available with auxiliar lifter).
- 1 x white LED rear working light in the right side is supplied as standard.

OP. Ref. 123090

### Side tailgate lights



- Two side working lights in LED (one on each side of the tailgate) to illuminate the side zone.

OP. Ref. 118040, 118070

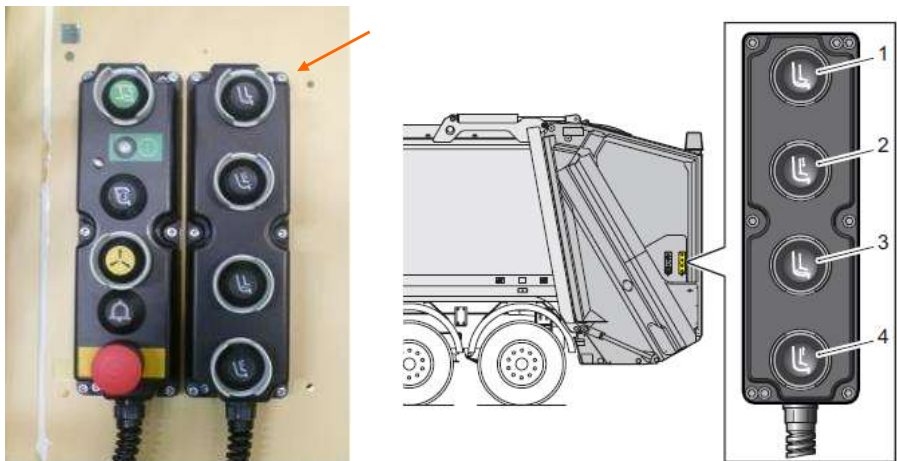
### Tailgate internal working light



- Work light mounted inside the tailgate.
- Available composition of 2 lights. Only LED type.

OP. Ref. 107040, 107030

### Compaction cycle control panel



- Allows a crew member to manually control the different steps of the compaction cycle if required.
- Options are a panel on the right, left or both sides of the tailgate.

OP. Ref. 129021

### Rear road lights with protection cages (halogen)



Upper lights with protection



Lower lights with protection



Rear halogen light without protection: standard configuration

- Rear road halogen lights with protective cages, instead of standard (without protective cage).
- Option only available with UPC lifter or Open Back.

OP. Ref. 129030

### Rear road lights LED



Upper lights



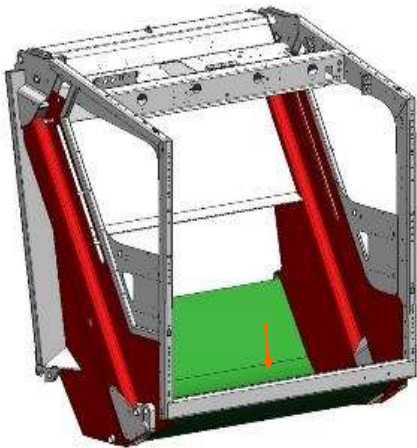
Lower lights



- Rear LED type road lights with side protection, instead of standard (halogen type without protective cage).

OP. Ref. 050050

### 6mm hopper thickness in Hardox 400



- Hopper of 6mm instead of 8mm, in Hardox 400.
- Tailgate weight reduction: 75Kg.
- NOT available with OL HCT.

OP. Ref. 120050

### Rear lower outline marker lights - arms



- Marker lights to show the lower outer limits of the body.
- LED lights with arms.



OP. Ref. 119050

### Rear upper outline marking lights -arms



- Marker lights to show the upper outer limits of the body.
- LED lights with arms.

OP. Ref. 102020

### Rear mounted control panels



- Two control panels installed on the DIN frame to control the main functions of compactor, instead of the control panels in the sides of the tailgate.
- Only for auxiliary lifter with DIN frame

OP. Ref. 063020, 043020

### Satellite collectors unloading device



Special folding retainers

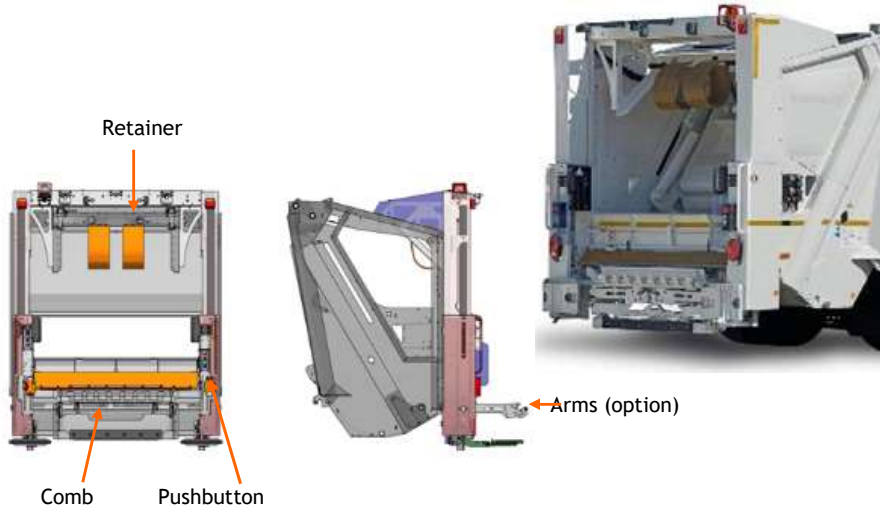
Special folding tailgate roof

Special folding rave rail

- Allows to unload satellite collectors. It consists of a folding rave rail, special and folding retainers and adapted roof area.
- Available also for SOTKON containers (3m3 closed bottom container), with adaptation of folding retainers.
- Available for OL-W, OL-W(+) and OL-HCT.
- Not available for OL N.

OP. Ref. 030060

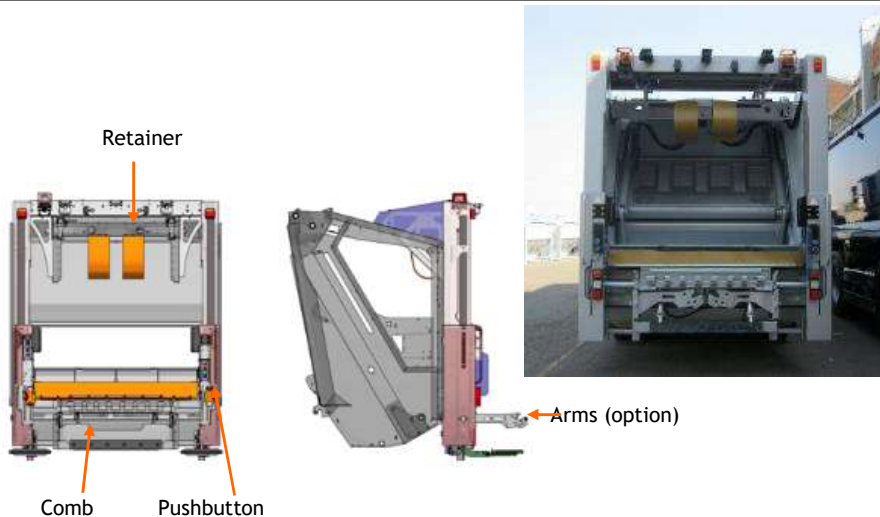
### Multi-purpose UPC bin lift. 500KG



- Multi-purpose bin-lifter for domestic containers weighing up to 500Kg.
- Vertical movement bin-lifter with raising and lowering speed regulator and electric/hydraulic operation.
- It includes comb, folding rave rail, lifter retainer, one pushbutton and standard painting.
- Will lift the following containers:
  - 80 to 390 litres (EN\_840\_1).
  - 500 to 1200 litres flat covers (EN\_840\_2).
  - 770 to 1300 litres curve covers (EN\_840\_3).

OP. Ref. 030050

### Multi-purpose UPC bin lift. 800KG



- Multi-purpose bin-lifter for domestic containers weighing up to 800Kg.
- Vertical movement bin-lifter with raising and lowering speed regulator and electric/hydraulic operation.
- It includes comb, folding rave rail, lifter retainer, one pushbutton and standard painting.
- Will lift the following containers:
  - 80 to 390 litres (EN\_840\_1).
  - 500 to 1200 litres flat covers (EN\_840\_2).
  - 770 to 1300 litres curve covers (EN\_840\_3).

OP. Ref. 030040

### Industrial and multi-purpose bin-lifter



Skip arms use

Bar lifter use

- Designed for the collection of domestic and industrial containers with bar lifter and skip arms, with hooks or chains (option).
- Electric pushbutton controls.
- Only for OL HCT.
- It includes comb, DIN arms, bin retainer, lid opener, skip arms, one pushbutton and standard painting.
- Will lift the following containers:
  - 80 to 390 litres (EN\_840\_1).
  - 500 to 1200 litres flat covers (EN\_840\_2).
  - 770 to 1300 litres curve covers (EN\_840\_3).
  - MGB 2,5K/5K (DIN 30737).
  - 4m3/7m3 (DIN 30720).
  - Container Schörling 3,5m3 & 7m3.

OP. Ref. 038020

### Lifter arms for UPC



- Bin lift arms for the multi-purpose UPC lifter.
- For use with 4 wheels containers of 1100 litres according to EN 840-2 and EN 840-3.

OP. Ref. 038030

### Lifter arms type Oschner for UPC



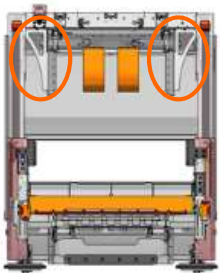
Standar lifter arms

Oshner type lifter arms

- Additional bin lift arms for the multi-purpose UPC lifter.
- For use with 4 wheels containers of 1100 litres and 800 litres Oschner type according to EN 840-2 and EN 840-3.

OP. Ref. 041020

### Lid openers for UPC



- To open roll top containers of 1100 litres.

OP. Ref. 032020

### 4 wheel bin auto gather system for UPC

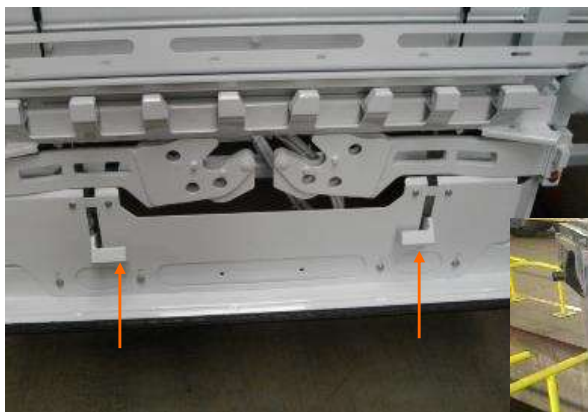


Container presence switch

- Detects if there is a bin or container presented to the bin lift comb, then automatically lifts the bin approximately 100mm and closes the bin retainer bar.
- The rest of the bin emptying cycle is completed manually.
- Available single switch for one container or bin.

OP. Ref. 033020

### Additional mechanical bin retainer system for UPC



Adapted container



- Additional bin retention system using 2 mechanical hooks.
- Containers and bins must be prepared for this system with the addition of a metal bar to the front face of the bin.

OP. Ref. 045010

### Second control station for UPC



- Second control panel for multi-purpose UPC bin lifter.

# OLYMPUS OPTIONS



## Graphical reference

Updated on April 2023

OP. Ref. 035047, 035046

### DIN frame for mounting bin lift - hinged version



- Industry standard mounting frame for bin lifts of different suppliers. Allows easier fitting of 3rd party manufactured bin lifts.
- Hinge allows the DIN frame to swing away from the body for easier access to the tailgate area.
- Includes a jack for lifting the frame up out of its retainers so it can then swing out of its working position.
- Light bridge and tailgate roof included.

OP. Ref. 035050

### DIN frame for auxiliary lifter - bolted



- Industry standard mounting frame for bin lifts of different suppliers. Allows easier fitting of 3rd party manufactured bin lifts.
- DIN frame is bolted to the tailgate, demounting of it requires a crane.
- Tailgate roof included. Light bridge integrated in the frame.

OP. Ref. 040020

### Bin retainer TMSAS for UPC



Standard retainer



- Bin retainer specially designed for small size bins, larger sized 'belt loops' compared to standard.

OP. Ref. 064060

### Folding rave rail 1600mm for UPC



1600mm  
(Depending on  
the chassis height)

- Folding rave rail for multi-purpose UPC bin lifter.
- Semi-automatic folding rave rail measures 1600mm when raised, 1350mm when lowered (Instead of 1400mm high standard folding rave rail).

OP. Ref. 018090, 018091

### Body weighing system installation - PM-30870



- Installation of customer supplied PM-30870 weighing system (does not include purchase and supply of weigh cells).
- Installation is complete, full installation on the cab and chassis, including cabling.
- Weighing system can be with or without compaction system lockout, compaction system stops working when maximum payload is reached.

OP. Ref. 075020

### Additional number plate support



- An extra number plate mounting plate located under the hopper.

# OLYMPUS OPTIONS

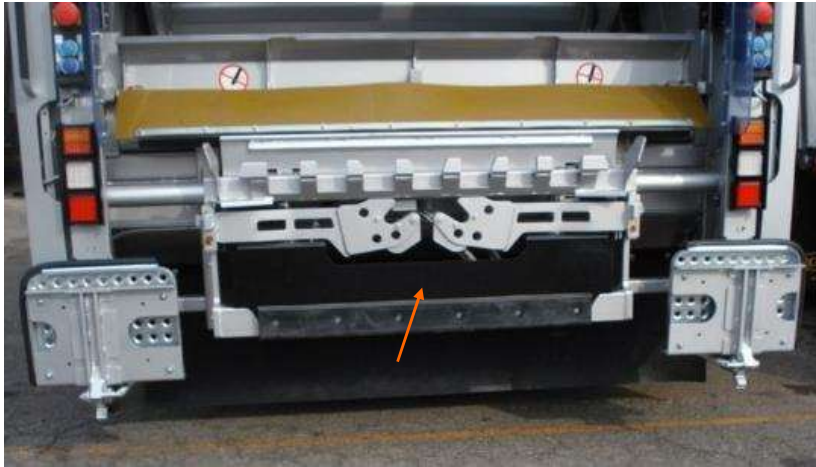


## Graphical reference

Updated on April 2023

OP. Ref. 039020

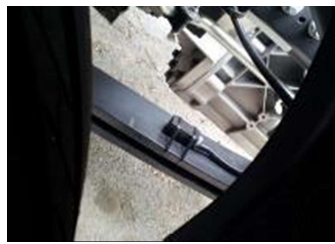
### Crew riding protection plate for UPC



- Steel panel to prevent the crew from standing on the bumper bar on the bin lift. They must stand on the footboards.
- Stops the crew bypassing the 30 km/h speed limit safety mechanism installed on the footplates.

OP. Ref. 020030, 020031

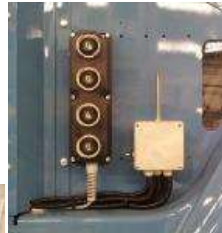
### Truckweight overload detector



- TruckWeight is a vehicle payload optimisation, overload monitoring and load distribution system for use on vehicles with steel sprung or air sprung suspension or a combination of the two.
- It includes a display in cab.
- There are two possible configurations: with one sensor or with two.
- Option to provide overload protection by locking out the compaction mechanism when the maximum payload is reached.

OP. Ref. 151030

### Heated tailgate hand holds



Thermostat

Heated holds

- Tailgate heated hand holds on the tailgate, 2 pairs, one on the right side and one on the left, connected to an external thermostat, to ensure operators in the footboards have warm hands in winter months.
- Not available with Terberg OmniMax.

# OLYMPUS OPTIONS

## Graphical reference

Updated on April 2023

OP. Ref. 088130

### Side protection for crew riding on footboards



- Flexible transparent plastic panels on the right and left to protect the crew on the footboards from weather or particules such as small stones.
- Not available with UPC.

OP. Ref. 159020, 159030

### Reflective self adhesive tape - red and grey ESC-A



In cab



Rear



Sides

- Self adhesive retro-reflective tape white/red according to normative TP ESC-A 10071.
- Mounting position can be:
  - In the cab only.
  - In the cab + equipment.*Position has to be always specified.*

OP. Ref. 152030

### Sesaly warning light system (2 pieces)



- LED module scrolling lightbar.
- Consists of 2 modules of 4 LED lights (500mm). Can be synchronised to give indications left or right.
- Leds give direction indication signals successively from inside to outside.



# OLYMPUS OPTIONS

## Graphical reference

Updated on April 2023



OP. Ref. 155020

### Signal plate A



- Foldable signaling plate "A".

OP. Ref. 160020

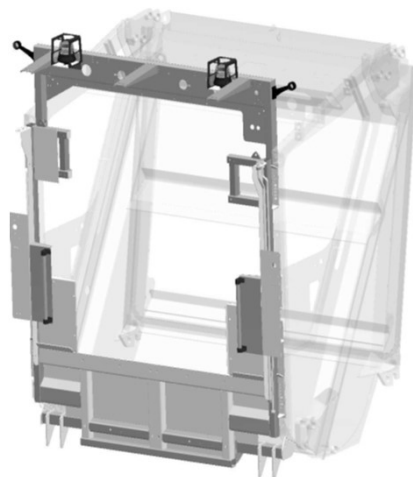
### Rear reflective plate



- Rear reflective plates with diagonal lines red and yellow to be mounted vertically in the rear part of the tailgate.

OP. Ref. 035070, 035090

### DIN frame for Tinium



- DIN frame designed for Terberg Tinium TCA/TCH-OEL bin lift.
- Available with mechanical and air assisted retainers.
- Light bridge and tailgate roof included.

OP. Ref. 081140

### Fire extinguisher in box



- Fire extinguisher for fighting a small fire.
- Includes dedicated storage box with mounting frame to take a 6kg extinguisher.

OP. Ref. 128020, 128030, 128040

### Synchronised flashing beacons



Rear syncro flashing beacons

- A pair of LED orange flashing beacons mounted in the top of the body and/or tailgate to indicate the position of the RCV.
- All beacons flash together in time.
- Number of beacons can be as follows:
  - 2 flashing beacons in the front of the body.
  - 2 flashing beacons at the rear part of the tailgate.
  - 2 flashing beacons in the front of the body and 2 flashing beacons at the rear part of the tailgate.

OP. Ref. 055030

### Liquids collecting tray in tailgate TMSAS



- Open tray at the rear of the body which collects leachate and feeds it to the hopper via a hose.
- Not compatible for FBU with option 015055 or 073025.

OP. Ref. 165020

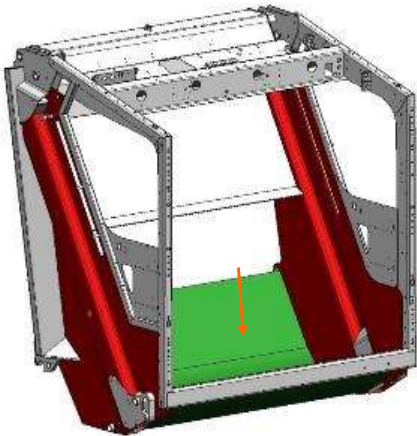
### Maximum speed indicators



- Rear facing decals to indicate the maximum speed allowed, 80 or 90 km/h. Legal requirement in some markets.

OP. Ref. 050030

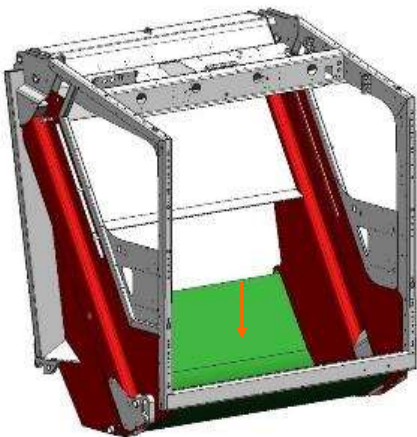
### Tailgate reinforcement 10mm - HARDOX 400



- Tailgate hopper constructed with 10mm thick Hardox 400 floor instead of standard 8mm.
- Tailgate weight increase: 72Kg.
- Not compatible with OL N.

OP. Ref. 050040

### Tailgate reinforcement 6mm - EURODUR



- Tailgate hopper constructed with 6mm thick Eurodur floor instead of standard 8mm HARDOX 400.
- Tailgate weight decrease: 72Kg.
- Not compatible with OL N or HCT.

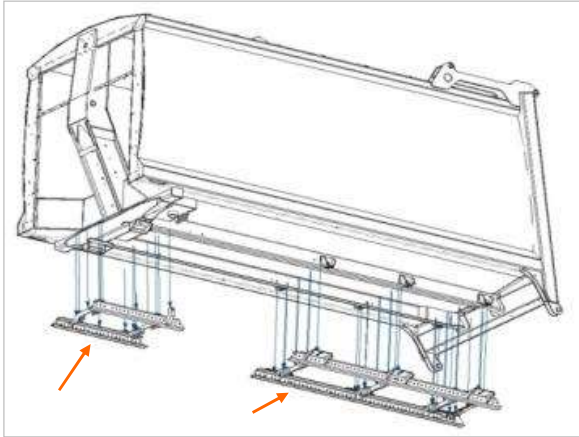
# OLYMPUS OPTIONS

## Graphical reference

Updated on April 2023

OP. Ref. 015055

Subframe 115mm



- Standard subframe, 115mm high painted in color RAL 9005.
- This option is only valid for FBU. FBM standard specification always includes the standard subframe.

OP. Ref. 059060

Advertising panels



- Advertising panels + supports on each side of the body. Customer mounts advertising decals as desired.
- Support dimensions 1500mm x 940mm.

OP. Ref. 082020

Sweeper central greasing predisposition



Connection points of the greasing circuit

- Fitting of connection points to allow the installation of a remote greasing system by a 3rd party.
- Please note: fittings only, no pipework or pumps.

# OLYMPUS OPTIONS

## Graphical reference

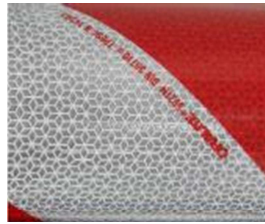
Updated on April 2023

OP. Ref. 159040, 159060

### Reflective self adhesive tape - red and silver ESC-B



In cab



Rear



Sides

- Self adhesive retro-reflective tape silver/red according to normative DIN30710 u. TPESC B 14303.
- Mounting position can be:
  - In the cab only.
  - In the cab + equipment.*Position has to be always specified.*

OP. Ref. 159050, 159070

### Reflective self adhesive tape - red and silver AVERY



In cab



Rear



Sides

- Self adhesive retro-reflective tape silver/red according to normative DIN30710 / AVERY WR-6100.
- Mounting position can be:
  - In the cab only.
  - In the cab + equipment.*Position has to be always specified.*

OP. Ref. 034120

### Mounting of Terberg OmniMax bin lift



- Installation of auxiliary lifter Terberg OmniMax supplied by the customer.
- Includes the fitting kit for a Terberg OmniMAX bin lift, 32pin connection, light bridge and roof.

OP. Ref. 034110

### Preparation for mounting of Terberg OmniMax



- Preparation for the installation of Terberg OmniMax lifter, supplied and mounted by the customer.
- Includes the fitting kit for a Terberg OmniMax bin lift, 32pin connection, light bridge and roof.

OP. Ref. 034090

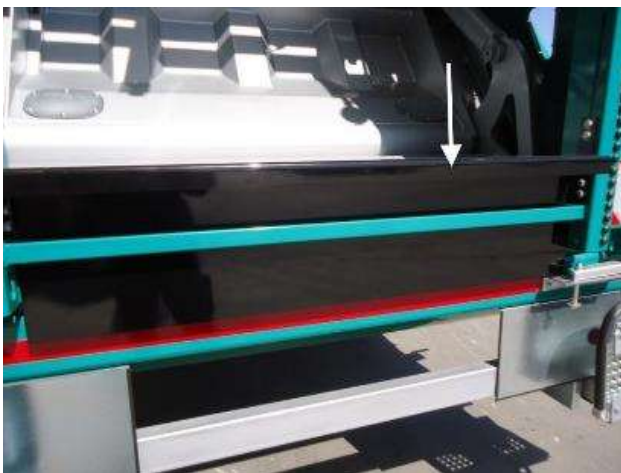
### Preparation for mounting of Terberg OmniTrade



- Preparation for the installation of Terberg OmniTrade lifter, supplied and mounted by the customer.
- Includes the fitting kit for a Terberg OmniTrade bin lift, 32pin connection, light bridge and roof.

OP. Ref. 064010, 064020

### Rave rail for DIN frame mounted bin lifts



- Fixed rave rail to fill the gap between the DIN frame and lower part of the bin lift.
- Available for low or high level lifters.

# OLYMPUS OPTIONS

## Graphical reference

Updated on April 2023

OP. Ref. 064080

### Folding rave rail for open back configuration



- A folding rave rail instead of fixed version for open back (no bin lift fitted) tailgates.
- With this option continuous packing cycle is disabled for safety.

OP. Ref. 163013, 163015

### Open Back tailgate



- Open back tailgate (without bin lift or DIN door) compliant with CE regulations.
- The difference with the base specification is:
  - Single hydraulic pump instead of double.
  - Light bridge fitted.
  - Tailgate roof fitted.
  - Upper body marker lights.
  - Road registration plate mount.
  - Rear under-run bar.
- Footboards and side bicycle protections bars are not included.

OP. Ref. 152040

### Sesaly warning light system (complete)



- LED module scrolling lightbar.
- Consists of 3 modules of synchronised LED lights with a total width of 1500mm.
- Gives direction indication signals continuously.
- Available with UPC, auxiliar bin lift with DIN frame and Terberg OmniMax.

# OLYMPUS OPTIONS

## Graphical reference

Updated on April 2023

OP. Ref. 112040, 112070

### Barrier light



- Illuminates the interior of the body, for maintenance or cleaning work.
- Located on the ejector column.
- Available in white LED.
- Available with independent drive from the rest of the vehicle lights.

OP. Ref. 055040

### Liquids collecting tray in tailgate TMSAS, with valve



- Open tray at the rear of the body which collects leachate and feeds it to the hopper via a hose.
- There is a valve in the hose to empty the content of the tray directly outside the hopper.
- Not compatible for FBU with option 015055 or 073025.

OP. Ref. 059080

### Advertising panels support, SEPUR

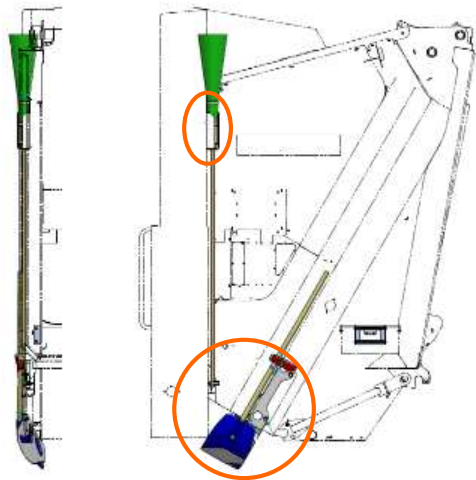


- Supports frame for advertising panels on each side of the body. Panels not included.
- Available in 1 size (support):  
1710x1150mm



OP. Ref. 074050, 074060, 074070

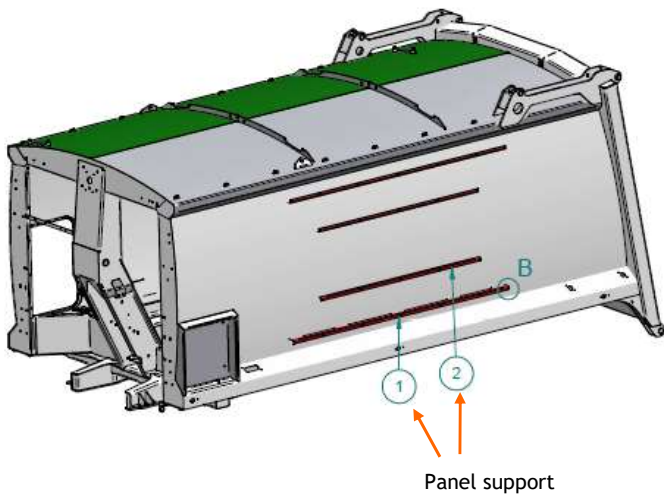
### Brush and shovel in the tailgate



- Stores the brush and shovel in the tailgate side.
- Brush and shovel are not included.
- It can be installed at the right side, left side or both sides.
- Available with OL N or W with UPC bin lift.

OP. Ref. 059090, 059100

### Advertising panels support, long



- Supports for advertising panels on each side of side of side of the body. Panels not included.
- Available in 2 sizes:
  - 2640x1262mm for panels of 2850x1500mm (1)
  - 1770x1602mm for panels of 2600x1600mm (2)
- Compatible with following capacities: OL19N, OL20W, OL21W, OL23W, OL25W and OL27W.

OP. Ref. 073040

### Rear discharge chute special design according to DE 2008573



- Chute to prevent leachate running onto the chassis when ejecting waste from the body.
- It covers the entire width of the body for Narrow and Wide versions of Olympus.
- Special design according to DE 2008573.

# OLYMPUS OPTIONS

## Graphical reference

Updated on April 2023

OP. Ref. 034130

### Mounting of Terberg TGV bin lift



- Installation of auxiliary lifter Terberg TGV supplied by the customer.
- Includes the fitting kit for a Terberg TGV bin lift, 32pin connection, light bridge and roof.

OP. Ref. 034180

### Preparation for mounting of Terberg EuroMax



- Preparation for the installation of Terberg EuroMax lifter, supplied and mounted by the customer.
- Includes the fitting kit for a Terberg EuroMax bin lift, control panels for collector and lifter, compaction cycle control panel, preparation for footboards (footboards supplied with the lifter).
- Road lights not included.
- Only compatible with OL W without HCT.

OP. Ref. 035100

### DIN frame for Tinium - hinged version



- DIN frame designed for Terberg Tinium TCA/TCH-OEL bin lift.
- Available with mechanical retainers (or without).
- Hinge allows the DIN frame to swing away from the body for easier access to the tailgate area.
- Includes a jack for lifting the frame up out of its retainers so it can then swing out of its working position.
- Light bridge and tailgate roof included.
- Compatible with OL W without HCT only with LED road lights.

OP. Ref. 113040, 113070

### Maintenance light



- Maintenance light situated between the cab and body.
- White LED.
- Available with independent drive from the rest of the vehicle lights.

OP. Ref. 173020, 173030, 173040, 173050

### LED flashing warning lights



- LED flashing lights, with different configurations available:
  - \* 8 LED flashing lights, in right and left side of the body and tailgate.
  - \* 4 LED flashing lights, 2 in the right and 2 in the left side of the front of the body.
  - \* 4 LED flashing lights, in the front-center of the body.
  - \* 4 LED flashing lights, 2 in the right and 2 in the left side of the rear of the body.
- Not compatible with beacon options.

OP. Ref. 170020

### Front end netting



- Nylon mesh net fitted to the front of the body to stop any small items of light waste like paper which manages to get past the ejector barrier to the front of the body.

# OLYMPUS OPTIONS

## Graphical reference

Updated on April 2023



OP. Ref. 132143, 132145

### Mudguards (DE)



- Mudguards according to DE design with black rubber protections, for 3 axle chassis.

OP. Ref. 176020

### 360° view camera system



360° view camera (in the same support as standard camera)



Side cameras (one each side)



- 360° view camera system.
- Total control, maximum security. System includes:
  - Backeye® 360° SELECT (Brigade)*
  - Zenital view 360° in a single image, monitor 7".*
  - 4 cameras wide angular (HxV) 185° x 180°.*

OP. Ref. 088051

### Footboards with weight sensor for Industrial lifter



- Folding footboards with weight sensor to detect if crew member is present.
- Signal from the sensor is used to activate safety feature preventing the vehicle from exceeding 30 km/h forward speed, and travelling in reverse when someone is standing on the footplate.
- Includes anti-slip footplates, rubber protection, 30Kmh/h speed limit and reversing protection.
- New design improves the clearance from the footboard to the floor and also avoids waste and water to deposit in the footboard mechanism.
- **ONLY** with Industrial lifter.

Rubber protection      Anti\_slippery tray

# OLYMPUS OPTIONS

## Graphical reference

Updated on April 2023

OP. Ref. 088021

### Footboards with weight sensor for UPC

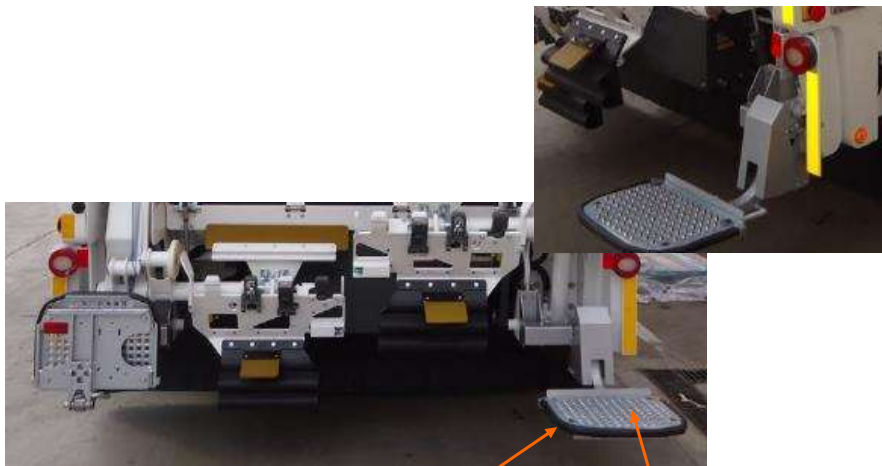


Rubber protection      Anti\_slippery tray

- Folding footboards with weight sensor to detect if crew member is present.
- Signal from the sensor is used to activate safety feature preventing the vehicle from exceeding 30 km/h forward speed, and travelling in reverse when someone is standing on the footplate.
- Includes anti-slip footplates, rubber protection, 30Km/h speed limit and reversing protection.
- **ONLY with UPC bin lift.**

OP. Ref. 088061

### Footboards with weight sensor for Terberg OmniMax lifter



Rubber protection      Anti\_slippery tray

- Folding footboards with weight sensor to detect if crew member is present.
- Signal from the sensor is used to activate safety feature preventing the vehicle from exceeding 30 km/h forward speed, and travelling in reverse when someone is standing on the footplate.
- Includes anti-slip footplates, rubber protection, 30Km/h speed limit and reversing protection.
- **ONLY with Terberg OmniMax bin lift.**

OP. Ref. 057070

### Frontal leachate outlet with valve and hose 4"



Outlet      Valve      Folded hose

- To drain leachates from the sump at the front of the body.
- Includes a valve in addition to the hose. 4".
- Can be mounted on right or left side of body.
- Only with old bellypant.

OP. Ref. 148061

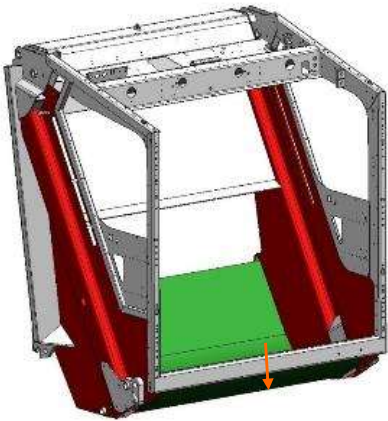
### Downward reverse working lights



- Illuminates the rear lower area of the RCV and helps the driver to drive reverse at low speed, indicating the position of the rear part.
- Only switched if rear gear is engaged.
- Located in the rear sides of the tailgate, illuminating the floor. One light at right side and one at left side.
- Available in LED and white color.
- Available with independent drive from the rest vehicle lights.

OP. Ref. 050060

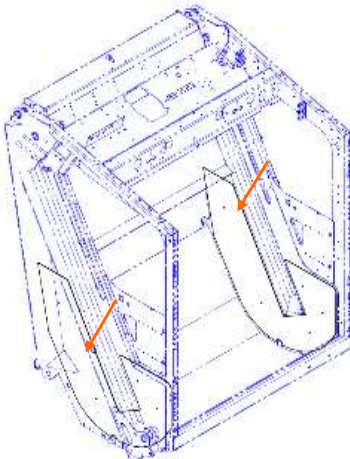
### 8mm hopper thickness in Hardox 500



- Hopper of 8mm in Hardox 500 instead of Hardox 400.

OP. Ref. 179030

### Tailgate reinforcement lateral



- Reinforcement of the tailgate sides with a 4mm sheet of 400hb.

# OLYMPUS OPTIONS

## Graphical reference

Updated on April 2023

OP. Ref. 015150

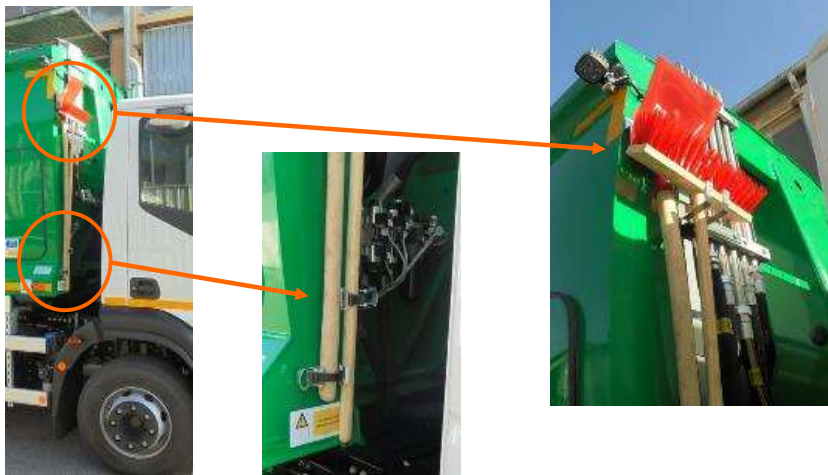
Subframe 400mm for CNG chassis.



- Special subframe for CNG chassis that have gas bottles on the chassis frame.
- Subframe height 400mm.
- Only available with IVECO chassis.
- Only available with OL19.

OP. Ref. 074080

Brush and shovel in front of the body



- Supports for shovel and brush in front of the body.
- Brush and shovel included.
- Supports can be in right or left side, depending on the exhaust system.

OP. Ref. 077030

Life line top of the body. Double.



- Two life\_lines on the roof of the body to allow maintenance staff to work safely using a harness.
- Safety harness for staff is not included.

OP. Ref. 081060

### Fire extinguisher box 6 kg



- Box for a fire extinguisher of 6Kg.
- It does not include the fire extinguisher.

OP. Ref. 084050

### Cyclist protections. Triple.



- Guards to stop cyclists and pedestrians going under the chassis in the event of an accident.
- Triple cyclist protections, with three bars (instead of two according to 084020).

OP. Ref. 088071

### Footboards with weight sensor for Open Back tailgate



- Folding footboards with weight sensor to detect if crew member is present.
- Signal from the sensor is used to activate safety feature preventing the vehicle from exceeding 30 km/h forward speed, and travelling in reverse when someone is standing on the footplate.
- Includes anti-slip footplates, rubber protection, 30Km/h speed limit and reversing protection.
- **ONLY with Open Back configurations.**



# OLYMPUS OPTIONS



## Graphical reference

Updated on April 2023

OP. Ref. 182030, 182040

### e-PTO



- Installation of an electric PTO fed by batteries placed between cab and body. The PTO will give power to the Olympus and the lifter.
- There are two sizes:
  - e-PTO 43 ONLY with Open Back or electric lifters.*
  - e-PTO 64 for non electric lifters.*
- **ONLY for FBM. ONLY for Olympus WIDE.**
- **NOT AVAILABLE** with continuous PTO, special subframe for weighing system or crane between cab and body.
- Only with Non Continuous PTO, electronically clutchable, and, if it is possible, through the CANJ1939 interface of the chassis.

OP. Ref. 034100

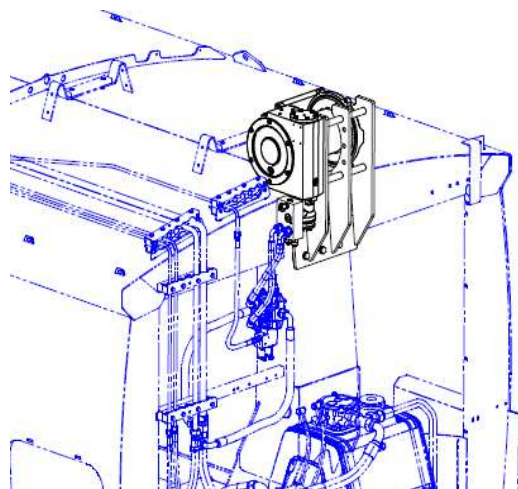
### Mounting of Terberg OmniTrade bin lift



- Installation of auxiliary lifter Terberg OmniTrade supplied by the customer.
- Includes the fitting kit for a Terberg OmniTrade bin lift, 32pin connection, light bridge and roof.

OP. Ref. 037030, 037040

### Installation WINCH



037040



037030



- Supply and installation winch brand SEPSON. Installation in the front of the body.
- There are two available models:
  - SEPSON H40, with cable.*
  - SEPSON H40W, with flat band.*

# OLYMPUS OPTIONS

## Graphical reference

Updated on April 2023



OP. Ref. 034160

### Mounting of Terberg OmniTrade\_e bin lift.



- Installation of auxiliary lifter Terberg OmniTrade\_e supplied by the customer.
- Includes the fitting kit for a Terberg OmniTrade\_e bin lift, 32pin connection, light bridge and roof.

OP. Ref. 034190, 034271

### Mounting of Terberg OmniMax\_e bin lift



- Installation of auxiliary lifter Terberg OmniMax\_e supplied by the customer.
- Includes the fitting kit for a Terberg OmniMax\_e bin lift, 32pin connection, light bridge and roof.
- It can be Wide or Narrow.
- WIDE: Options 102020 and 107040 are necessary if this option is chosen.
- NARROW: Option 107040 is necessary if this option is chosen.

OP. Ref. 034200

### Mounting of Terberg EuroMax bin lift



- Installation of auxiliary lifter Terberg EuroMax supplied by the customer.
- Includes the fitting kit for a Terberg EuroMax bin lift, control panels for collector and lifter, compaction cycle control panel, preparation for footboards (footboards supplied with the lifter).
- Road lights not included.
- Only compatible with OL W without HCT.

# OLYMPUS OPTIONS

## Graphical reference

Updated on April 2023

OP. Ref. 152050, 152060

### Sesaly warning light system



- LED module scrolling lightbar.
- Consists of 1 module of LED lights with a total width of 500mm.
- Gives direction indication signals continuously.
- Mounted in the right or left side of the tailgate.

OP. Ref. 080060

### Hand washing station. Warm water.



- Wash station with warm water.
- Capacity of 5l. Dimensions: 310mm x 445mm x 240mm
- Available bicolored in greys.
- Mounted under the body.

OP. Ref. 059110

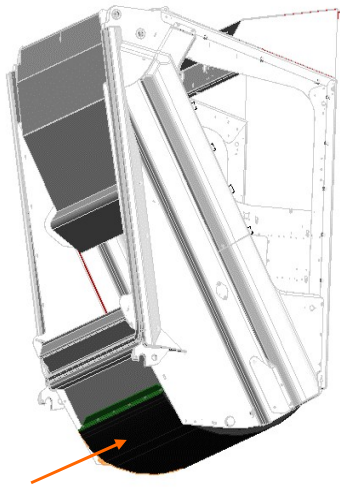
### Advertising panels support, HS design Aluminium



- Supports for advertising panels on each side of side of side of the body. Panels not included.
- Made in aluminium following HS design.
- Size: 3000x1500mm
- Compatible with following capacities: OL19N, OL20W, OL21W, OL23W, OL25W and OL27W.

OP. Ref. 053020

### Soundproofing hopper



Detailed view with sound absorbing paint and material.



- Soundproofing of the exterior of the hopper with sound absorbing paint and material.

OP. Ref. 013121, 013141

### Special hopper for underground containers (foldable and compatible with Terberg lifters) and preparation for a crane.

RCVs with preinstalation for a crane between cab and body+ special tailgate with EuroTrade OT



- RCV prepared for the mounting of a crane between cab and body (013121) or mounted on the body (013141).
- Available for different crane models. Crane supply and installation not included.
- Extra hopper mounted to the tailgate to receive the containers, bottom opening versions.
- This special tailgate is developed for OLW and for Terberg lifters OMNIMAX or EUROTRADE OT.
- NOT compatible with OLN or OL HCT.

OP. Ref. 013131

### Special hopper for underground containers (light, foldable and compatible with Terberg lifters) and preparation for a body mounted crane.

Different views of the special hopper



- RCV prepared for the mounting of a crane on the top of the body. Available for cranes Palfinger EPSILON C70G, HIAB 3600, Vkran V3, ECO806 or ECO809.
- Crane supply and installation not included.
- Extra hopper mounted to the tailgate to receive the containers, bottom opening versions.
- This special tailgate is developed for OLW and for OmniMax and EuroTrade lifters.
- NOT compatible with OLN or OL HCT.

# OLYMPUS OPTIONS

## Graphical reference

Updated on April 2023

OP. Ref. 190030

### Two front body lights for crane

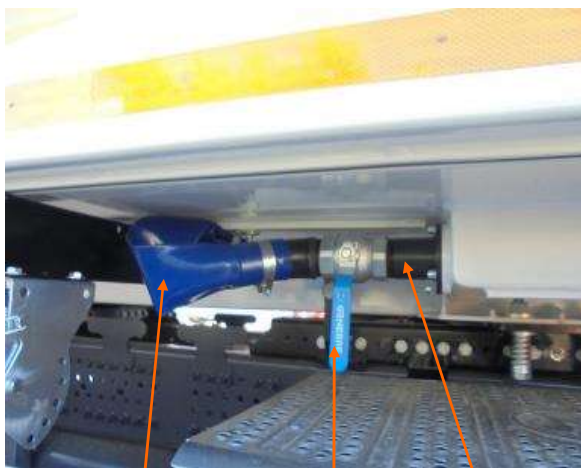


Light for crane indications in both sides of the RCV.

- Two front body lights with the crane, in each side of the body. Instead of only in one side.
- Only with a crane between cab and body.

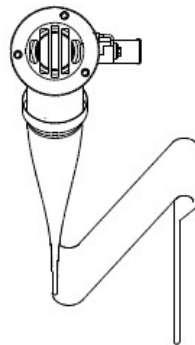
OP. Ref. 057060, 057110

### Frontal leachate outlet with valve and hose 2".



Folded hose      Valve      Outlet

Strainer (option 057110)



- To drain leachates from the sump at the front of the body by means of a hose with a valve. 2".
- This is standard in FBM.
- The outlet is in the frontal part of the body and can be mounted on right or left side.
- Optionally (057110) can include a strainer to separate big particles from the leachate.

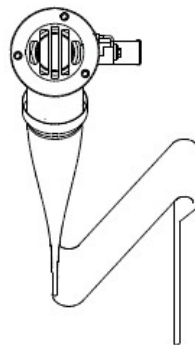
OP. Ref. 057080, 057100, 057120

### Frontal leachate outlet with valve 2" or 4" and coupling STORZ



Valve with STORZ coupling      Outlet

Strainer (option 057100)



- To drain leachates from the sump at the front of the body by means of a valve 2" or 4" with special coupling STORZ.
- The outlet is in the frontal part of the body, on right side.
- Optionally (057100) can include a strainer to separate big particles from the leachate.

# OLYMPUS OPTIONS

## Graphical reference

Updated on April 2023

OP. Ref. 059120, 059130

### Advertising panel support, TMNL design



- Support for advertising panels on each side of the body, in accordance to TMNL design. Panels not included.
- Available in 2 dimensions:  
1000x820mm  
1600x800mm

OP. Ref. 078070, 078100

### Triangle toolbox



- Plastic toolbox, triangular shape, to be mounted between the rear axles.
- Capacity of 70l.
- Optionally (078100), two toolboxes of 70l can be mounted, only if there is space enough.

OP. Ref. 188020

### Anti-slippery stickers.



- Anti-slippery paintstickers on top of the Olympus roof to facilitate the movement on the roof without slipping.

OP. Ref. 082070

Sweeper central greasing, brand BEKAMAX



With automatic pump

- System to grease sweeper automatically from a central location, brand Bekamax.
- Greasing circuit is available with a pump.

OP. Ref. 014020

CNG Chassis adaptation.



GNC isolating plate

- CNG chassis adaptation introducing a tray on the front of the body to avoid any leak of hydraulic oil fall down directly on the catalyzer, producing a fire.

OP. Ref. 064100

Fix rave rail, 1600mm for UPC



1600mm  
(Depending on  
the chassis height)

- Fix rave rail, 1600mm high (approx.)
- Instead of 1400mm high standard folding rave rail.
- ONLY valid with UPC. Not compatible with OL ExN, satellites, underground tailgate adaptations or subframe 400mm for GNC chassis.

OP. Ref. 152070

### Sesaly warning light system



- LED module scrolling lightbar.
- Consists of 1 module of LED lights with a total width of 500mm.
- Gives text indications.
- Mounted in the center of the tailgate upper part.
- ONLY with Terberg OmniTrade and with an auxiliary lifter with DIN door/frame.

OP. Ref. 152080

### Directional light



- Warning light panel, brand SARR, 72 FS PT48.
- Lighting panel in one piece.
- Mounted in the center of the tailgate upper part.
- Without pushbutton.

OP. Ref. 038050

### Lifter arms type 1000/1700 for UPC



Standar lifter arms  
1000/1700 type lifter arms

- Additional bin lift arms for the multi-purpose UPC lifter.
- For use with 4 wheels containers of 1100 litres and and 1700l Sulo containers according to EN 840-2 and EN 840-3.
- Lifting capacity 1000Kg. Retainer modified according to those arms. Without lid openers.
- ONLY with UPC800 lifter and option 179030.
- NOT compatible with HCT, FMS options, Satalite option, Underground hopper options.



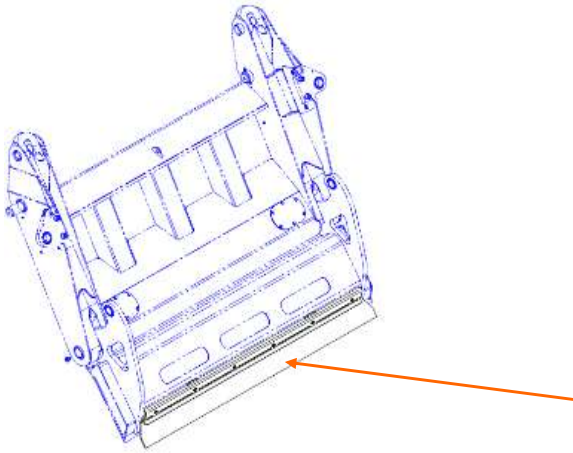
# OLYMPUS OPTIONS

## Graphical reference

Updated on April 2023

OP. Ref. 189020

### Rubber in packer



- Rubber in packer according to 6224002.
- NOT AVAILABLE with Industrial lifter or OL ExN.

OP. Ref. 130050

### Sheet metal tailgate cover



- Sheet metal tailgate cover instead of standard made of plastic.
- For HCT configurations or configurations with crane it comes as standard.

OP. Ref. 132150

### Metallic mudguards



- Metallic mudguards with black rubber protections.
- ONLY for FBM and 3-axle chassis.

OP. Ref. 079020, 079030

### Pressure water washing equipment



- Pressure water washing equipment (15 l/min 150 Kg/cm<sup>2</sup>) with water tank and hose.
- Available in two formats:
  - \* Only in one side. Water tank 200l and 10m hose.
  - \* In both sides. Water tank 250l and 2x10m hose.
- Not available with variable flow pump.
- ONLY for FBM.

OP. Ref. 034260

### Mounting of Terberg EuroTrade bin lift\_Straight tailgate



- Installation of auxiliary lifter Terberg EuroTrade lifter supplied by the customer.
- Includes the fitting kit for a Terberg EuroTrade bin lift, control panels for collector and lifter, preparation for footboards (footboards supplied with the lifter).
- Road lights not included.
- Only compatible with OL W without HCT and OL N without winch and without crane.

OP. Ref. 064090

### Folding rave rail for open back configuration DEW



- A folding rave rail instead of fixed version for open back (no bin lift fitted) tailgates according DEW design (6223004), with some modifications to avoid interferences with footboards.

OP. Ref. 195020

### Hydraulic oil refrigerator



- Installation of an hydraulic oil cooling system, indicated for climas with extremely high temperatures.

OP. Ref. 059140

### Advertising panel support, 4 angles



- Installation of the bracket on the left and right side (4 angles) to install advertising boards.

OP. Ref. 078090

### Plastic toolbox - 90lx2 vertical



- Two Plastic toolbox mounted under the body in vertical.  
90l: 500 x 350 x 470 mm

OP. Ref. 081030

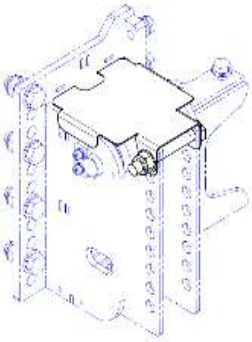
### 6Kg fire extinguisher & supports in front of the body.



- Fire extinguisher.  
6Kg fire exting & supports mounted in front of the body.

OP. Ref. 2000200

### Protection system for footboards UPC



- Protection system for footboards UPC  
to prevent the accumulation of garbage on the support.

OP. Ref. 114120

### Additional video camera - Motec 10"



- Additional video camera - Motec 10"  
The screen is split showing 2 camera views in front drive and rear view full screen mode while the vehicle is in reverse drive.

# OLYMPUS OPTIONS

## Graphical reference

Updated on April 2023

OP. Ref. 198020

### Stainless steel bag dispenser



- Stainless steel bag dispenser  
Both sides.

OP. Ref. 201020

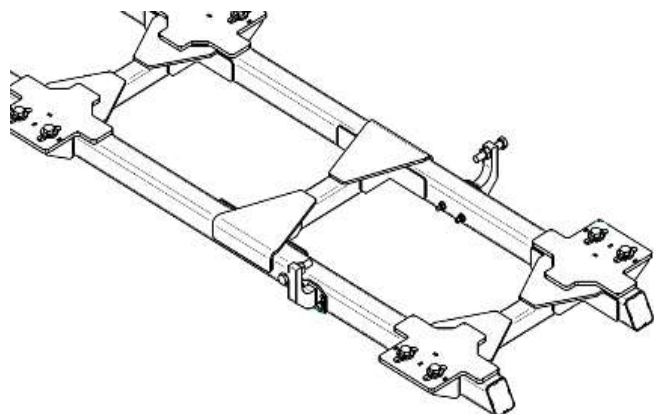
### Hydraulic rave rail for Terberg EuroTrade OT



- Hydraulic rave rail for Terberg EuroTrade OT  
with winch system

OP. Ref. 015160

### Subframe tubular



- Continuous Under-frame along all body, tubular,  
100mm H and wall thickness 8mm.

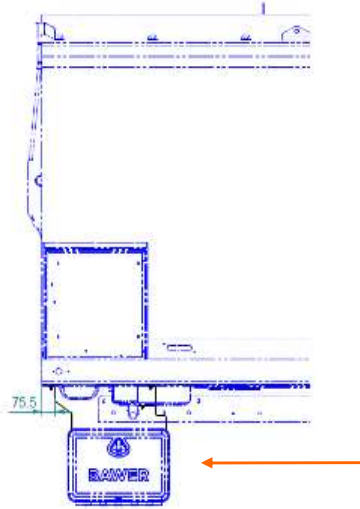
# OLYMPUS OPTIONS

## Graphical reference

Updated on April 2023

OP. Ref. 078080

### Plastic toolbox - 110l - Frontal



- Plastic toolbox 110l with lock and key mounted under the body in the front part of the body.
- Available for Mercedes Econic GNC.

OP. Ref. 034290

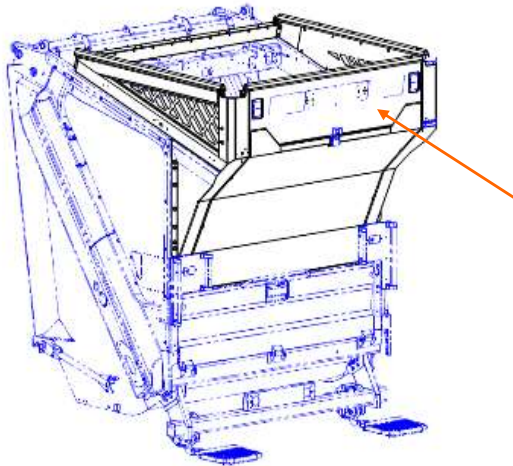
### Mounting of Terberg OmniDel FW



- Installation of auxiliary lifter Terberg OmniDel FW supplied by the customer.
- Includes interface for mounting, 32pin connection, light bridge, tailgate roof and preparation for footboards (footboards supplied with the lifter).

OP. Ref. 013151, 013161, 013171, 013181

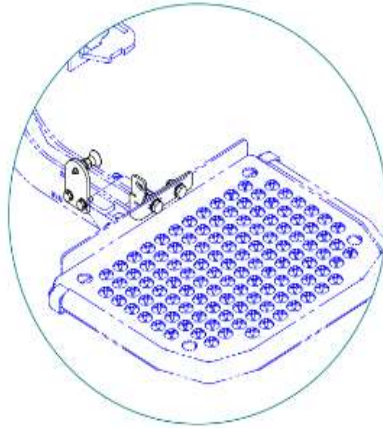
### Special hopper for underground containers (BENELUX version crane chute)



- RCV prepared for the mounting of a crane. Crane supply and installation not included.
- Extra hopper mounted to the tailgate to receive the containers, bottom opening versions. BENELUX version crane chute.
- Includes continuous subframe, low platform, hydraulic (with WIDE) or mechanical (with HCT) rave rail.
- The crane can be located on the top of the body (available for cranes Palfinger EPSILON C70G, HIAB 3600, Vkrans V3, ECO 806 or ECO809) or between cab and body.
- Option for Olympus WIDE or for HCT. Only with Open Back configuration.
- With WIDE, not compatible with footboards.

OP. Ref. 185020

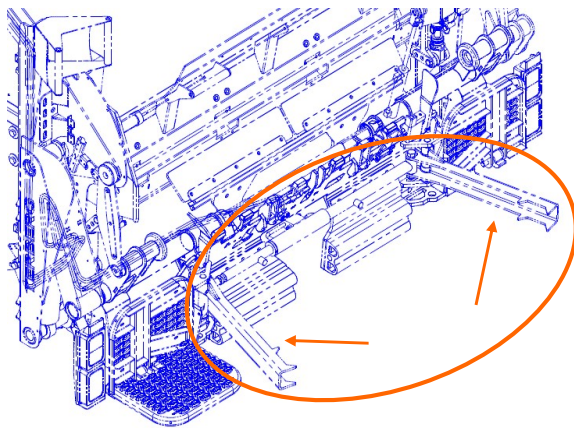
### Footboard lock



- Blocking system to be added to a footboard to lock it when it is folded.
- Only available with UPC and lifters with DIN frame/door.

OP. Ref. 192020

### Bale clamp. With hydraulic installation.



- Installation of the hydraulics for a bale clamp.
- Only with Terberg Eurotrade lifter with HCT.

OP. Ref. 034220

### Mounting of Terberg EuroTrade OT bin lift\_Sloped tailgate



- Installation of Terberg EuroTrade OT lifter, supplied by the customer. Includes the fitting kit for a Terberg Eurotrade OT bin lift, control panels for collector and lifter, compaction cycle control panel, preparation for footboards (footboards supplied with the lifter).
- Road lights not included
- Use option for EuroTrade WLS + a winch option (037xxx).
- OL Narrow only without winch.
- Use this option in case of crane chute with Terberg Eurotrade.

OP. Ref. 034241

### Mounting of Terberg OmniMax bin lift (OL NARROW)



- Lifter supplied by the customer.
- Includes the fitting kit for a Terberg OmniMax bin lift, 32 pin connection, light bridge and roof.
- Only Olympus Narrow.
- Option 107040 is necessary if this option is chosen.