



# TGV

## GROOT VOLUME BELADINGSSYSTEEM

The TGV is Terberg's heavy duty, large volume container lifting solution, ideally suited to the collection of large volumes of all types of waste and recyclable materials. The robust, yet flexible design provides a dependable solution that is capable of handling both domestic and commercial trade wastecontainers;

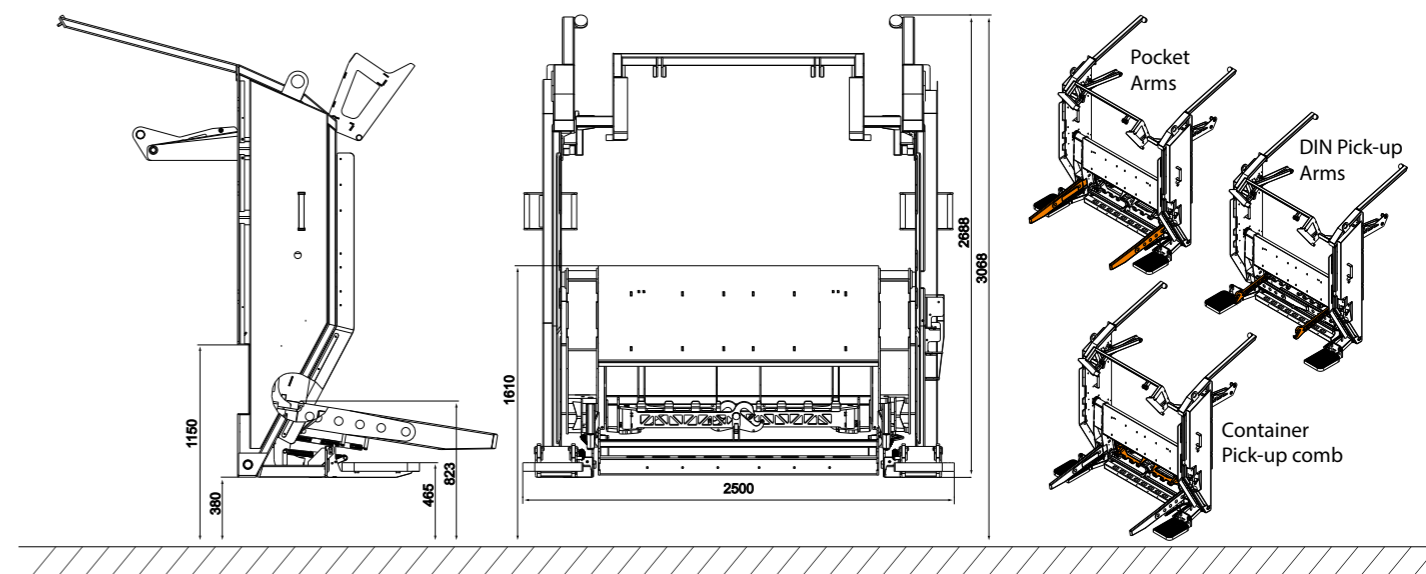
### VIJF REDENEN OM TGV TE KIEZEN:

- The **TGV** lift 2-wheel domestic and 4-wheel commercial containers ranging from 120 to 4500 litre capacity
- An optional bin comb is available to provide a safe and secure lifting mechanism for 2-wheel domestic containers complying with EN840.1
- The **TGV** has a large tilting angle.
- The TGV packs quite the punch in comparison to its weight of only 800 kg but a lift capacity of 2000 kg.
- The short overhang makes sure the axle loads are kept within their specs.

### SLIMME OPLOSSINGEN

- The TGV has a short overhang van 678 mm.
- A ground clearance of ± 465mm
- The **TGV** large volume bin lift offers a heavy duty method for the collection of large 4-wheel, 2.5 and 4.5 cubic metre bulk containers.
- **TGV** is constructed from heavy duty steel and uses high quality components, all assembled and fabricated to provide an extremely robust build synonymous with the Terberg brand. This ensures that the TGV lift will remain reliable and dependable in the harshest of environments, whether that be extremes of temperature, humidity or both.
- The quality and longevity of the TGV has been proven time and time again over the years with a outstanding performance and little maintenance requirements.

## TGV



### TECHNICAL SPECIFICATIONS

Hydraulic Control Station	Standard
DIN pick up Arms	Option
Comb Pick-up for EN840.1 containers	Option
EN-840.1 Containers (80-390 Ltr.)	Option
EN-840.2 4-wheel container with flat cover	Option
EN-840.3 4-wheel round cover containers	Option
(770-1300 liter)	
EN-12574-1 pocket arms (2,5m³ / 4.5m³)	Standard
Side Hydraulics Covers	Option
Weight	800 kg
Set Lifting Capacity	2000N (2000 kg)
Power Source	hydraulic / electric
Electrical Connections	16-pin / 24 V
Hydraulic Requirement	ideal 40 ltr/min., maximum 60 ltr/min., 180 bar, max 200 bar
Cycle time	16 sec
Noise level	< 65 dB(A)
Safety	CE machinery directive certification, EN 1501.1 and EN 1501.5.



EN 840-1 80 -360 L



EN 840-2 500-1280 L



EN 840-3 770-1100 L



EN-12574-1 (2.5/4.5 cbm)